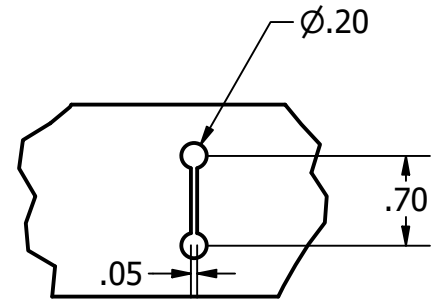


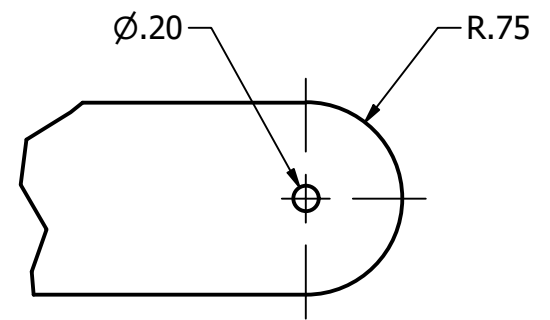
2



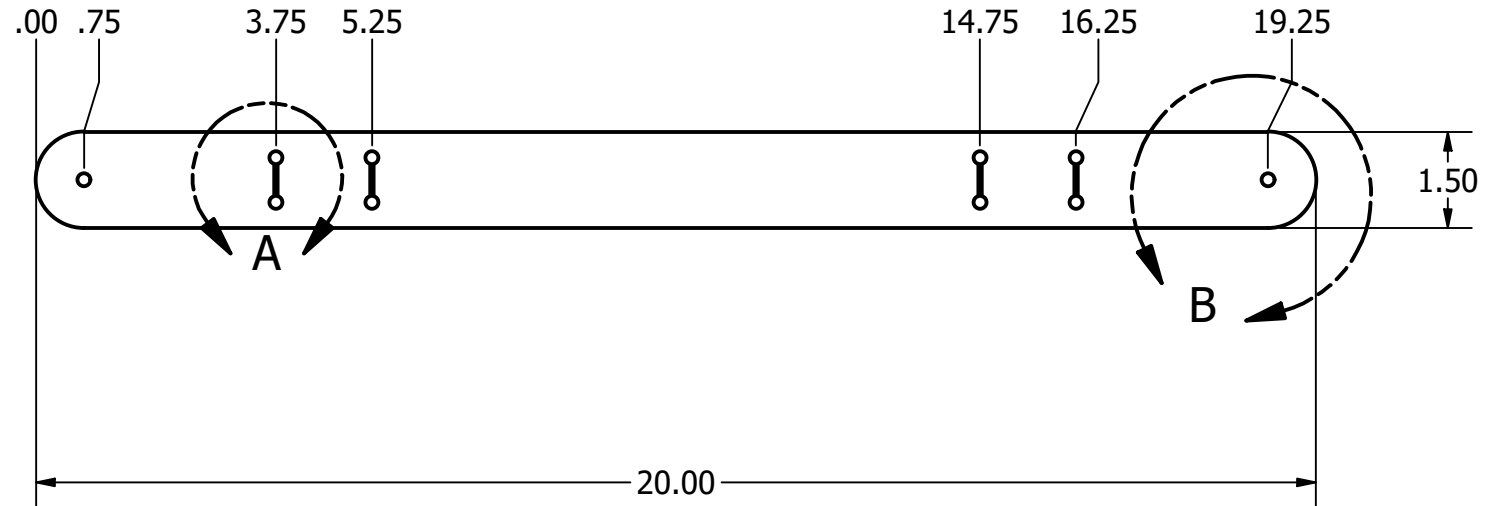
1



DETAIL A  
SCALE 2 / 3



DETAIL B  
SCALE 2 / 3



MAY BE MANUFACTURED FROM A VARIETY OF MATERIALS. THE FOLLOWING HAVE BEEN SUCCESSFULLY DEMOED:

- 0.040" VINYL (SIDING MATERIAL)
- 1/32" POLYSTYRENE

DRAWN Dan Satko	3/24/2020	MRL Medical		
CHECKED		TITLE		
QA		Headband - Main Strap		
MFG		SIZE A	DWG NO headband	REV 1
APPROVED		SCALE 1:3	SHEET 1 OF 1	

2



1